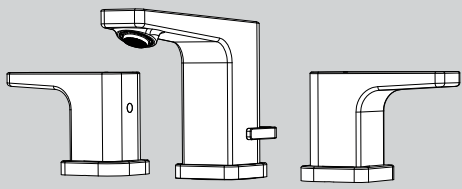
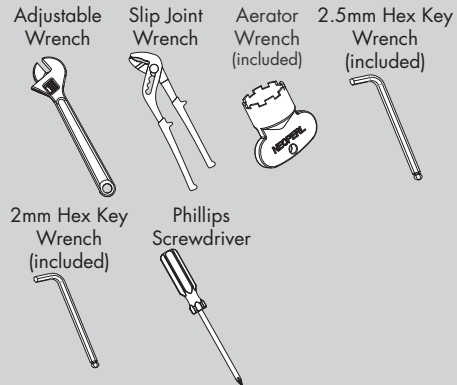


INSTRUCTIONS FOR MODELS

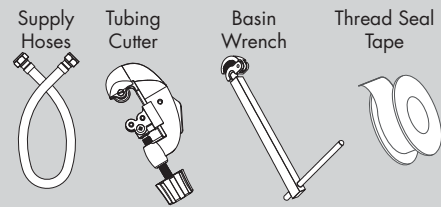
SB-2421



TOOLS AND SUPPLIES



HELPFUL TOOLS & SUPPLIES:



NEED HELP?

For additional assistance or service please contact:

SPEAKMAN® Company
400 Anchor Mill Road
New Castle, DE 19720

800-537-2107

customerservice@speakman.com

www.speakman.com

92-SB-2421-01

IMPORTANT

- Do not over-tighten any connections or damage may occur.
- Be sure to read instructions thoroughly before beginning installation.
- This faucet has an operating range of 20-80 psi.

SAFETY TIPS

Cover your drain to prevent loss of parts. Be sure to wear eye protection while cutting pipe.

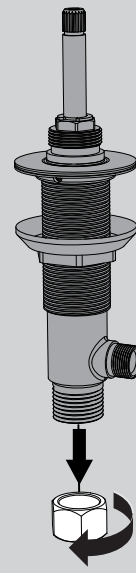
MAINTENANCE

Your new Speakman Product is designed for years of trouble-free performance. Keep it looking new by cleaning it periodically with a soft cloth. The use of harsh chemicals and abrasives on any of the Speakman custom finish products may damage the finish and void the product warranty. Please be sure to only use approved cleaners. Please contact Speakman for any clarification of acceptable cleaners.

WARRANTY

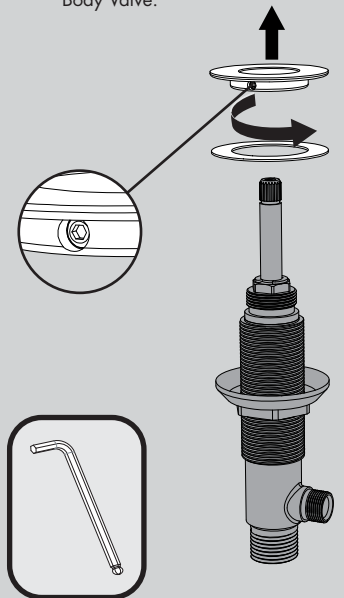
Additional warranty information can be found at: www.speakman.com

1 Remove the Compression Nuts from the inlets of the End body Valve. Repeat for opposite End Body Valve.



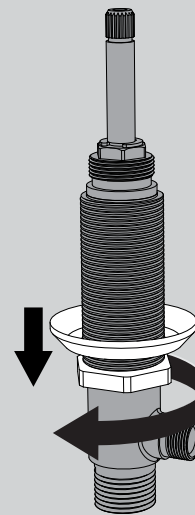
2X

2 Loosen, but do not remove set screw of the Flange Nuts. Unthread and remove Flange Nuts and Rubber Washers. Repeat for opposite End Body Valve.



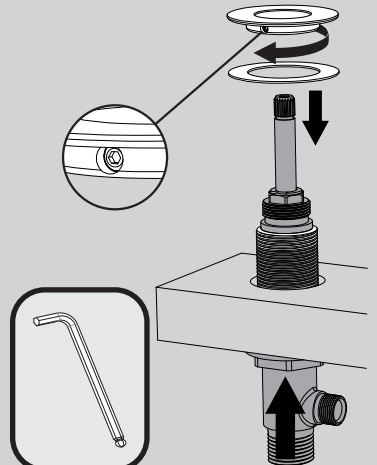
2X

3 Thread down the Lock Nuts and Cup Washers onto the End Body Valve. Repeat for opposite End Body Valve.



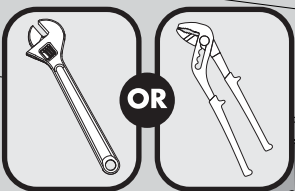
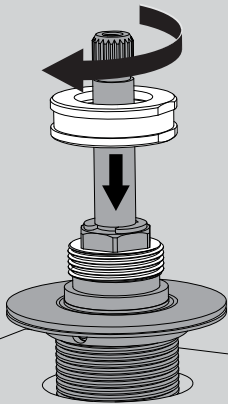
2X

4 From below, insert **HOT** End Body Valve assembly (MARKED **RED**) through left hole in counter-top. From above, reinstall Rubber Gasket and Flange Nut. Thread Flange Nut down until it bottoms out. Secure with Set Screw and supplied Allen Wrench. Repeat process for **COLD** End Body Valve by installing into the right hole of counter-top. The **COLD** End Body Valve is marked **BLUE**.



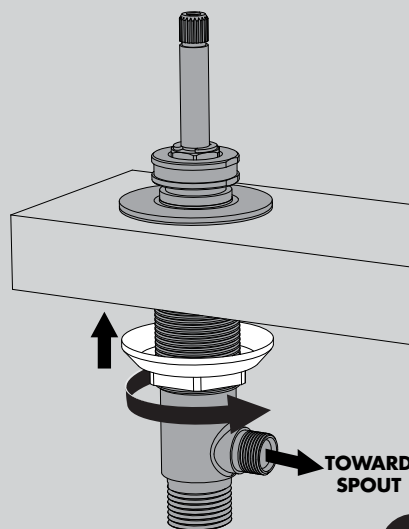
2X

5 Install Collar Adapter to End Body Valve. Wrench tighten. Repeat process for opposite End Body Valve.



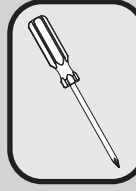
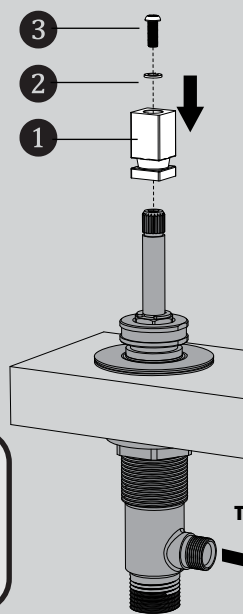
2X

6 From below align End Body Valve outlet towards spout. Hand tighten Cup Washer and Lock Nut. Repeat process for opposite End Body Valve.

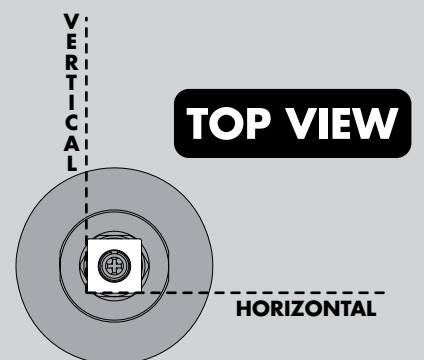


2X

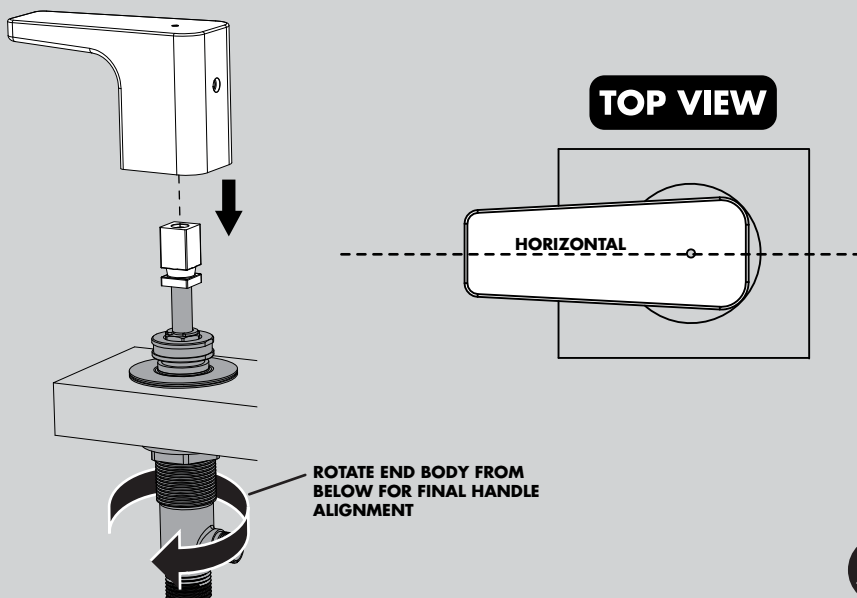
7 Verify End Body Valve outlet is pointed towards the spout. Install Spindle Adapter **1** to Spindle making sure that the adapter is aligned vertically and horizontally as shown below when the valve is in the "OFF" position. Secure with Lock Washer **2**, and Screw **3**. Repeat process for opposite End Body Valve.



2X

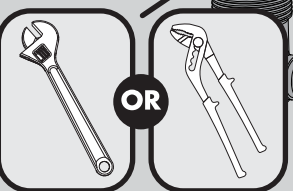
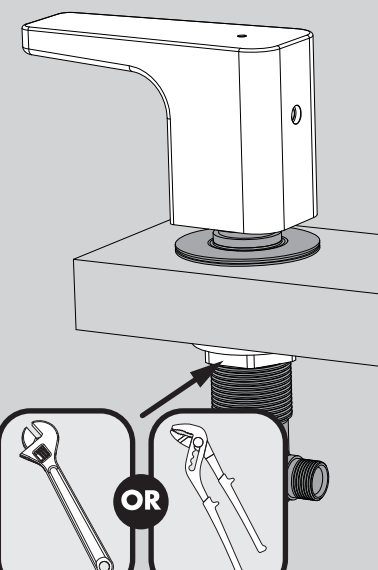


8 Place Handle on to Spindle Adapter. From above the handle should line up perfectly horizontal as shown below when the Valve is in the "OFF" position. If it does not, rotate End Body Valve from below to properly align. Repeat process for opposite End Body Valve.



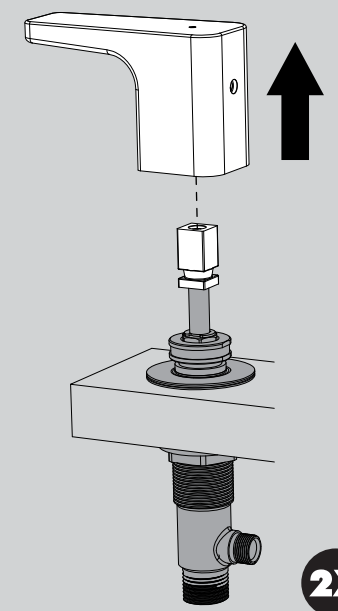
2X

9 While keeping Handle aligned from above, wrench tighten End Body Valve Mounting Nut to secure End Body in place. Repeat process for opposite End Body.



2X

10 Remove Handle and set aside. Repeat for opposite End Body.



2X

11 Place Escutcheon on to End Body. Align as shown below. The Escutcheon shape should follow the shape of the Handle when installed. You can temporarily place the Handle into position to aid in alignment. Repeat process for opposite End Body Valve.

TOP VIEW

HORIZONTAL HORIZONTAL

2X

12 Verify Escutcheon is properly aligned as per the previous step. Secure into position with Set Screw and supplied Hex Key Wrench. Repeat for opposite End Body.

2X

13 Place HOT/RED Handle on to Spindle Adapter. Verify that the Handle is still properly aligned in the closed position. Press down firmly on Handle while securing into position with Set Screw and supplied Hex Key Wrench. Repeat for opposite End Body.

2X

14 Place Handle Screw Cover into place. Repeat for opposite End Body.

2X

15 From above, install the Spout through the center hole. Align spout as shown below.

TOP VIEW

16 From below, secure Spout into position using the Rubber Washer 1, Metal Washer 2, and Spout Mounting Nut 3. Wrench tighten.

2X

17 From below, secure Tee to Spout Inlet. Wrench tighten.

2X

18 Make Hose Connections between End Body Valves and Tee. Wrench tighten

2X

19 Install Water Supply Lines (not included) to 1/2"-14 NPSM inlets on Valve End Bodies. Wrench tighten.

INLET SUPPLIES NOT INCLUDED

2X

20 Remove Stopper 1, Flange Nut 2, and Flange Washer 3 from Drain Assembly.

2X

21 From beneath, insert Drain Assembly through drain hole in sink. Attach supplied Flange Washer 1 or plumber's putty to the underside of the Flange 2. Secure Flange 2 to the Drain Assembly. Align the Drain Assembly as shown below.

Align towards faucet.

2X

22 From beneath, secure Rubber Washer ①, Plastic Washer ②, and Mounting Nut ③. Wrench tighten.

23 Remove Pivot Nut ①, from Drain Assembly. Install Outer Pivot Washer ②, and Pivot Rod ③. Ensure that Inner Pivot Washer ④ is retained in Drain Assembly. Insert Pivot Rod into Drain Assembly and install Stopper ⑤ as non-removable. Secure Pivot Rod to Drain Assembly by tightening Pivot Nut ①.

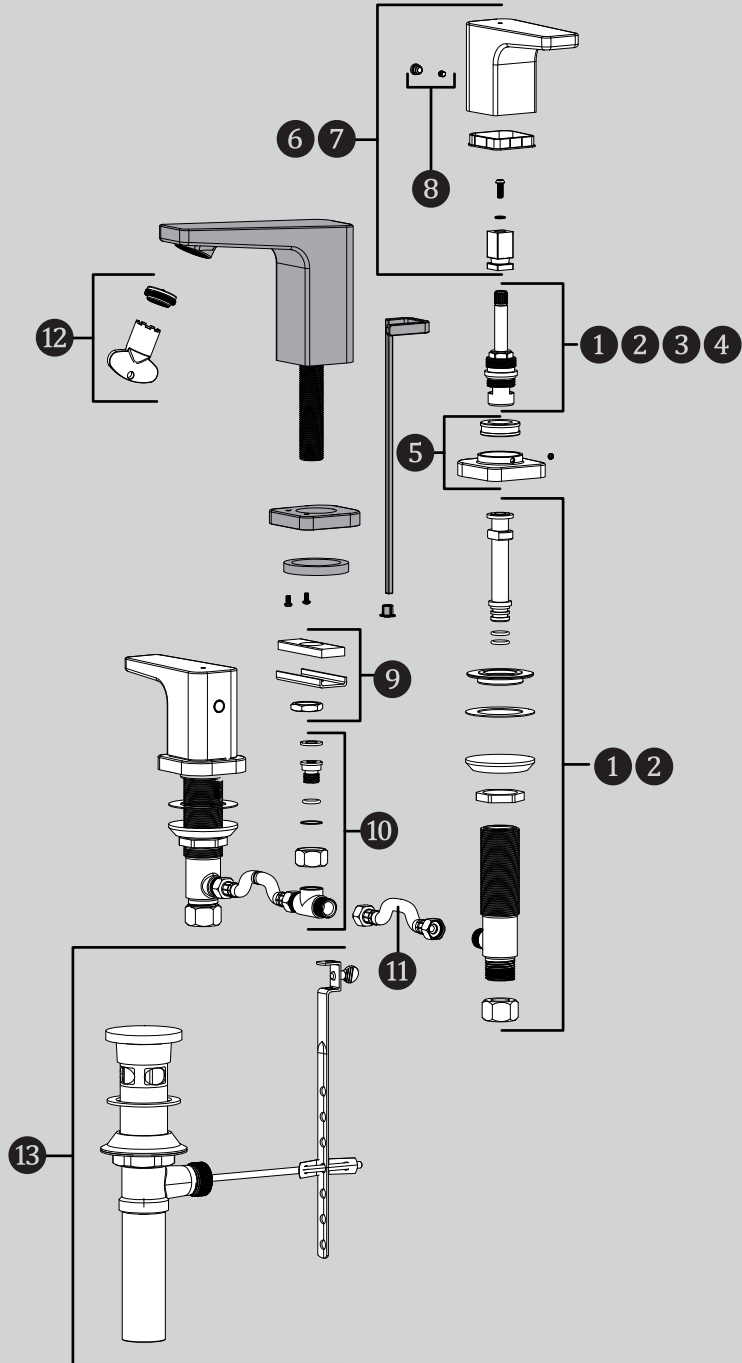
24 Place one end of Spring Clip ①, on Pivot Rod ②. Insert Pivot Rod ② through a hole in the Lift Rod Strap ③. Secure with Spring Clip ①.

25 Place Drain into the open position by pressing downward on the Pivot Rod ①. Insert Lift Rod ② into Strap ③. Adjust height of Lift Rod ②, and tighten Thumb Screw ④.

26 Additional adjustments can be made to ensure a proper seal between the Drain Stopper ① and Drain Assembly. Remove Pivot Nut ②, from Drain Assembly. Slide out Pivot Rod Assembly ③. Remove Drain Stopper ①. Additional adjustments can be made by either threading in or out the eyelet portion of the Drain Stopper ①.

27 Turn on water supplies and flush both COLD and HOT cartridges for one minute, while checking for leaks.

28 Install Aerator with supplied Aerator Wrench.



ITEM NO.	PART NO.	DESCRIPTION
1	RPG20-2055	Hot/Red End body Assembly Repair Bag Group
2	RPG20-2056	Cold/Blue End body Assembly Repair Bag Group
3	RPG05-1118	G05-0830-CA - 1/4 Turn Valve, Medium, RED
4	RPG05-1119	G05-0831-CA - 1/4 Turn Valve, Medium, BLUE
5	RPG10-0122	Handle Flange (- ADD FINISH)
6	RPG04-0445	Hot/Red Handle (- ADD FINISH)
7	RPG04-0446	Cold/Blue Handle (- ADD FINISH)
8	RPG41-0288	Handle Index (- ADD FINISH)
9	RPG05-1120	Spout Mounting Hardware
10	RPG24-0135	Spout Tee Assembly
11	RPG63-0103	8" Long Flex Hoses (2)
12	RPG05-1113	1.2 gpm Slim Aerator with Key
13	RPG24-0134	Drain Assembly (- ADD FINISH)

SB-2421 ROUGH-IN DIAGRAM

NOTES:

COMPLIANCE:

ASME A112.18.1/CSA B 125.1
AB1953
NSF 61

FLOW:

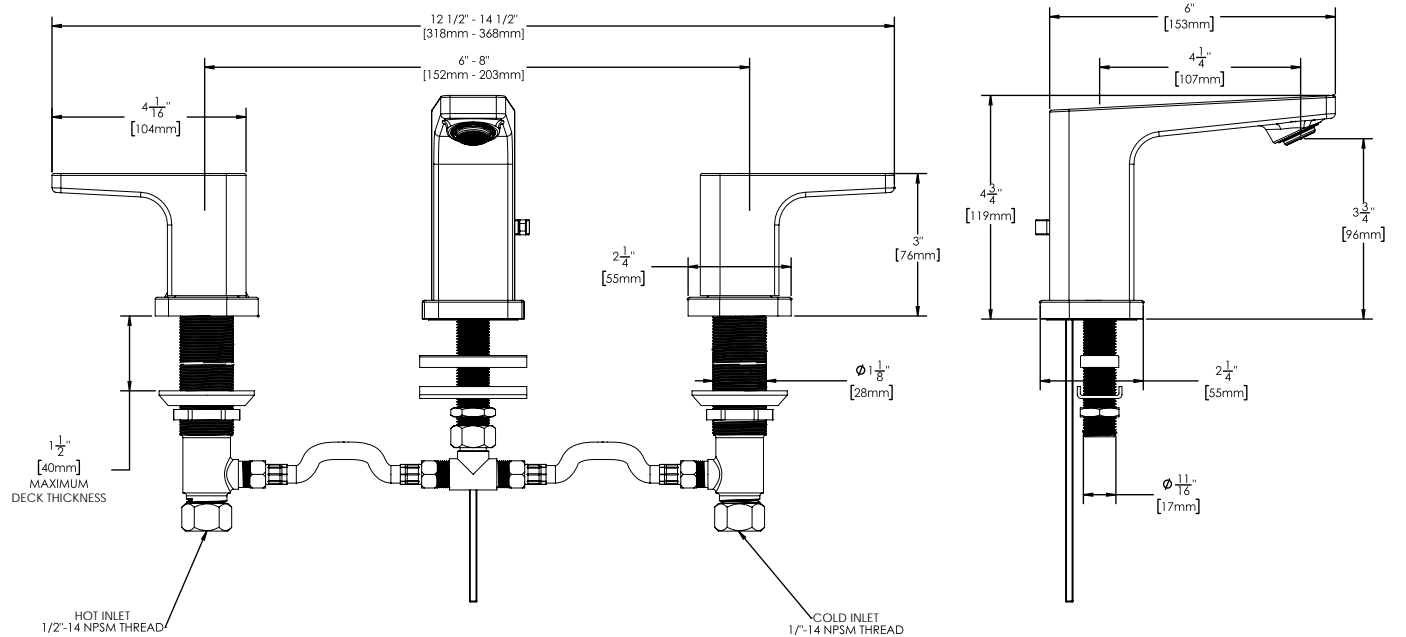
Flow Rate: 1.2 gpm
Flow Type: Aerated

CONNECTIONS:

For flexible hose connection
Hot Supply- 1/2" - 14 NPSM
Cold Supply- 1/2" - 14 NPSM

For Hard pipe/copper tube connections
Hot & cold- 1/2" tube connection
with coupling nut

Contractor to supply necessary connections
to the inlets of the end bodies.



LAVATORY ROUGH-IN

